



Warner Bodies builds crane bodies with standard features & in various sizes. We custom design our products and offer a variety of options to meet your specific needs. Consistent high quality is achieved by our skilled, experienced and highly motivated team in Noblesville, Indiana. While we can provide many options, our standard features are:

### Crane Reinforcement

- Structural steel crossmembers
- 3/4" steel plate inside top of crane mounting
- 2,000 lb. to 5,000 lb. reinforcement for rear of bodies
  - ▶ 2" x 4" x 1/4" wall tubing cross bars extend into compartment
  - ▶ Rear cross bar reinforced to bottom for outriggers on both sides
  - ▶ Compartment reinforced with 2" x 4" x 1/4" wall tubing
- 5,000 lb. to 8,000 lb. reinforcement for rear of bodies
  - ▶ 1/8" treatplate wrappers on compartments
  - ▶ 3" x 5" x 1/4" wall tubing for cross bars and compartment reinforcement
  - ▶ 5" crossmembers used

### Body & Compartments

- Continuously welded to form weather tight enclosures
  - ▶ Integrally welded subframe
  - ▶ Solidly welded front bulkhead
- Double reinforced drip rail capped at both ends for strength
- Warnerized rustproofing
- 14 gauge galvaneal sides

- 11 gauge galvaneal tailgate
- 1/8" safety tread floors
- Undercoating
- Double interlocking 1" angle wheel radii
- 16 gauge galvanized shelving
- Variable tray and shelf arrangement
- All vertical shelving removable

### Doors

- Rustproofed prior to assembly
- 19 gauge galvaneal double panel construction
- Continuous 5/16" diameter full stainless steel rod hinges formed into door edges
- Heavy duty chain on all compartment doors
- Doors and door jams formed to prevent water penetration into the compartment
- Recessed paddle handles, zinc plated and key locked

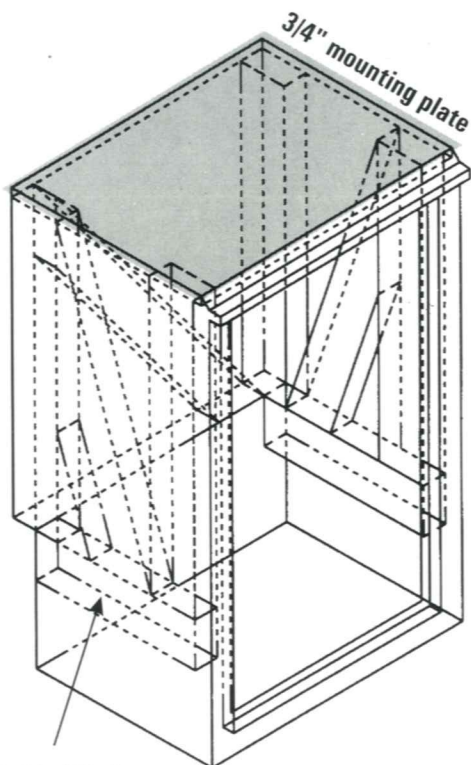
*(continued on other side)*

■ *exceeds industry standards*

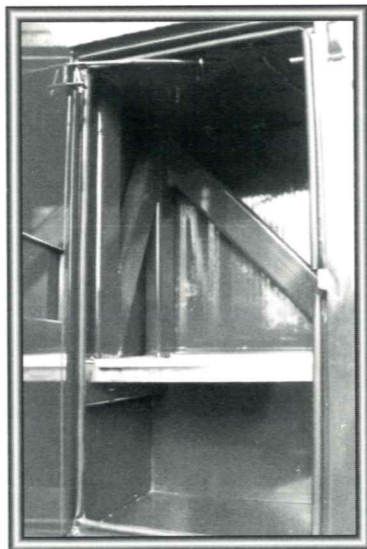
# Custom Bodies Quality Service Designs at production prices!

## Crane Reinforcement Compartment

Heavy Duty Reinforcement



4" x 2" x 1/4" tubing  
or  
3" x 5" x 1/4" tubing



## Standard Features

### Doors (continued)

- Individual compartment locks
- Stainless steel and brass bolt on hinges
- Automotive type gaskets
- Heavy duty chain stops

### Most Popular Options

- Side access steps of treadplate or gripstruts
- 14 gauge steel construction
- Specialty shelving
- Ladder racks
- Pipe racks
- Pipe vice brackets
- Flip top compartments
- Through compartments
- Spring loaded door checks
- 14 gauge treadplate tops
- 11 gauge treadplate wrapper
- Tool boxes
- Treadplate or gripstrut bumpers
- Federal standard 108 lights and reflectors
- Compartment lights
- Recessed stop, tail, turn and back-up lights
- Master lock system
- Divider trays
- Drawers, hooks
- Oxygen-acetylene 64" high compartments

*We've been building  
them right since*

**1939**